

IR TENOR

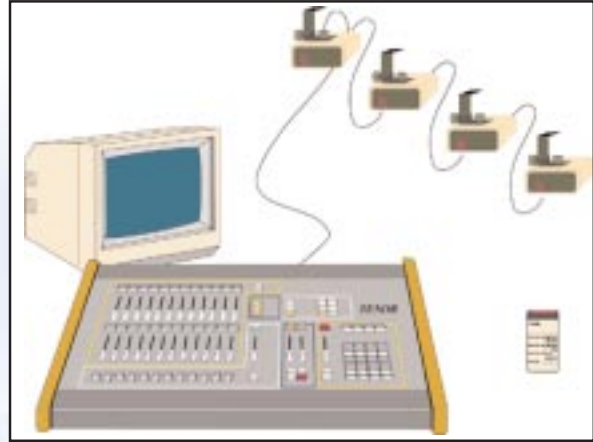
Infrared Remote Control

Some functions of TENOR, such as :

- channel level settings
- memory loading or memory play-back

can be remote controlled by means of an infrared system composed of maximum 4 receivers and 1 transmitter (HiFi/Video remote control type).

Transmitter maximum range is 30 m; each receiver is configured and can be set anywhere within the system configuration.

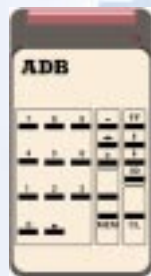


Transmitter HiFi/Video remote control type.

Ref. : **EM / IR**

Powered by :

- either : 9 V alkaline battery; type 6LF22 (IEC standard)
- or : rechargeable battery
example : TR7.8 battery (VARTA)
FW4001 charger (FRIWO)

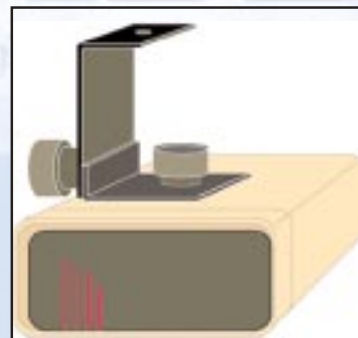


Receiver

Ref. : **RE / IR**

Each receiver is supplied with :

- 1 DE09 - P Plug
- 1 DE09 - S Socket
- 2 connector Covers
- 1 adjustable Mounting Bracket
- 1 decoder chip to fit the control desk (positions U35, U48, U53, U62)



Transmitter Characteristics

Dimensions (mm) : 145 x 70 x 22
Weight (kg) : 0.15

Receiver Characteristics

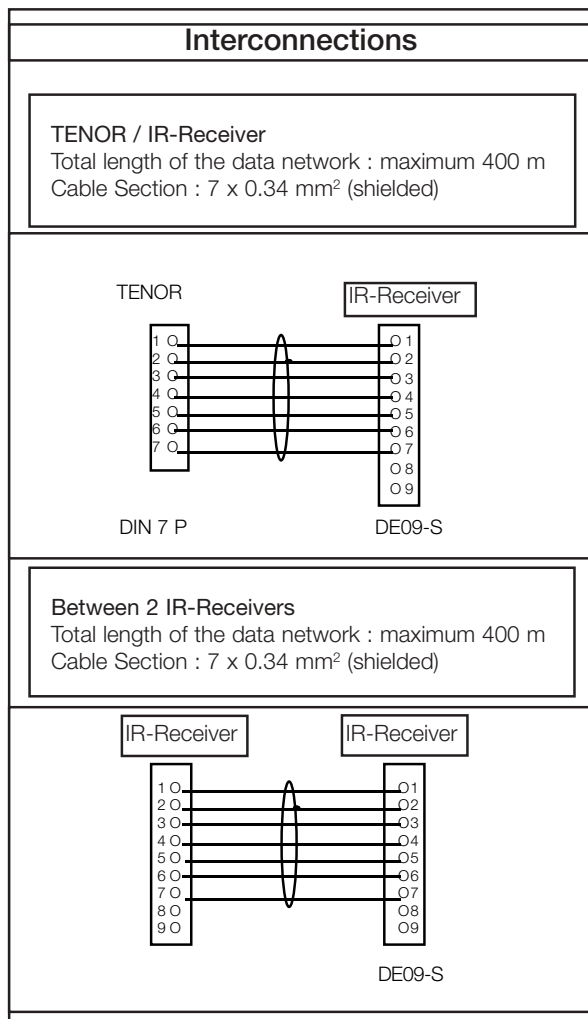
Dimensions (mm) : 150 x 155 x 120
Weight (kg) : 0.7

Accessories

- DE09 Plug
- DE09 receptacle
- DIN 7 -Plug

DE09M/CP
DE09F/CP
DIN /7 M

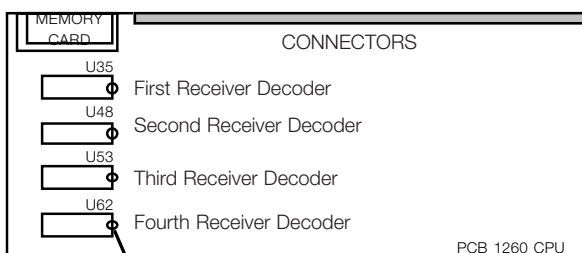
IR TENOR



This equipment complies with all applicable European directives and carries a CE mark.

Decoder chips in the TENOR

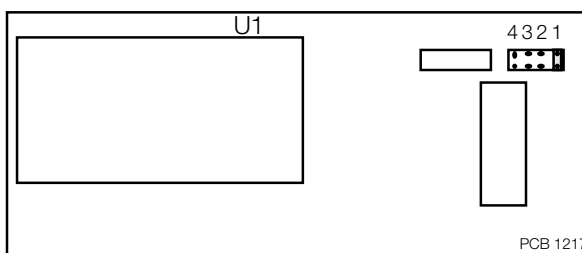
One decoder chip is supplied with each receiver and has to be inserted in the TENOR as follows:



Note : insert the chip, with the notch on the right hand side

Jumper position in the IR receivers

On the internal PCB 1217, a jumper will be positioned, from 1 to 4, following the decoder chips position.



Receiver	TENOR
Jumper in position 1	= Chip in position U35
Jumper in position 2	= Chip in position U48
Jumper in position 3	= Chip in position U53
Jumper in position 4	= Chip in position U62

ADB - Your Partner for Light

ISO 9001 Certified

Belgium N.V. ADB-TTV Technologies S.A.
(Group Headquarters) Leuvensesteenweg 585, B-1930 Zaventem
Tel : 32.2.709.32.11, Fax : 32.2.709.32.80,
E-Mail : adb-ttv@adb.be, Internet : www.adb-ttv.com

Deutschland ADB GmbH
Dieselstraße 4, D-63165 Mühlheim am Main
Tel : 49.6108.91.250, Fax : 49.6108.91.25.25
E-Mail : adb.lichtelek@t-online.de, Internet : www.adb-deutschland.de

France ADB S.A.S.
168/170, boulevard Camélinat F-92240 Malakoff
Tel : 33.1.41.17.48.50, Fax : 33.1.42.53.54.76, E-Mail : adb@adbfrance.fr

ADB
Lighting Technologies

DS-2043-E-07g